

How Thinsulex Silver works

The performance of all Thinsulex products is based on the formula:

$$R \approx d/\lambda + (1-\epsilon)$$

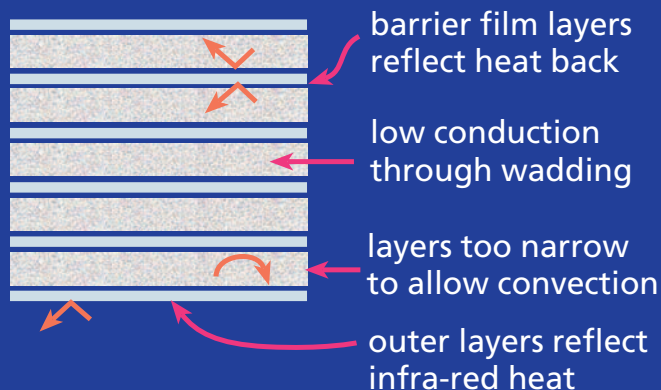
Where:

R is thermal resistance

d is the thickness of the core

λ is the thermal conductivity of the core

ϵ is the emissivity of the outer layers



Thinsulex Silver combines a core air layer with mirrored surfaces that reflect infra-red heat. Web ultra-sonic technology joins materials without stitching which avoids air leakage or moisture contamination.

Building Control

Thinsulex is the original certified multi-foil. The system is fault tolerant, air and vapour tight cutting CO₂ emissions and saves energy. The product has zero global warming and ozone depletion potential.

With an average home losing 70% of its heat through radiation, you will be glad to hear that Thinsulex Silver reflects more than 80% of radiation, playing a major part in reducing fuel bills and saving energy.

Web Dynamics can provide written guarantees for its U-value calculations.

Thinsulex Silver, the original certified multi-foil, saves time and guarantees 0.2*. It stops air leakage by providing an air-tight vapour barrier and restricting air movement in its multi-foil layers.

10 reasons to use Silver:

- Needs only 120mm of glass wool to achieve 0.2
- Faster to fit than PUR across rafters
- Reflects more than 80% of radiation
- Air and vapour tight – cuts CO₂ emissions
- BBA certified, Part L and qualifies for HIPS, LABC approved, accepted by NHBC
- Tough and lightweight – easy to handle in awkward spaces
- No face mask required – it's clean and hypoallergenic
- Easy to handle, flexible roll – 12m² of product can be laid across rafters and stapled into place in one go
- 25 year product guarantee
- Made in the UK. Full technical support and after sales service

*when installed according to BBA certificate No06/4379

For help and information call the **thermal hotline 01204 674 730** between 8am and 5pm, Monday – Friday

Made in Britain by **Web Dynamics Ltd**
Moss Lane
Station Road
Blackrod
Lancs. BK6 5JB

t 01204 695 666
f 01204 695 333

www.webdynamics.co.uk

THINSULEX

MULTI-FOIL INSULATION

Silver



- **Faster to fit than PUR across rafters**
- **Needs only 120mm of glass wool to achieve 0.2**
- **Air and vapour tight above or below rafters**

thermal hotline **01204 674 730**
for technical advice



The multi-foil system certified to achieve 0.2

Installing Silver

Thinsulex Silver is a thin, flexible multi-foil which can be used for 100mm and 150mm rafter installations in new build, barn conversion and refurbishment projects including loft extensions (new build in a traditional roof) either over or under rafters.

It works in combination with glass wool to reduce the total thickness of insulation needed and with PUR to cut installation time.



Optimising internal living space

L1B states that: "Practical considerations with respect to an increase in structural thickness (particularly in terraced dwellings) may necessitate a lower performance target."

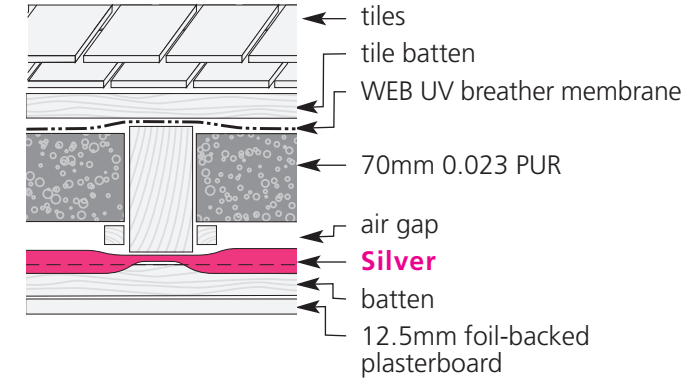
The table below sets out U-values that can be achieved using Thinsulex Silver with different thicknesses of PUR or glass wool.

PUR 0.023		glass wool 0.032	
thickness	U-value	thickness	U-value
70mm	0.20	120mm	0.20
60mm	0.23	100mm	0.23
50mm	0.25	75mm	0.26
40mm	0.28	50mm	0.32

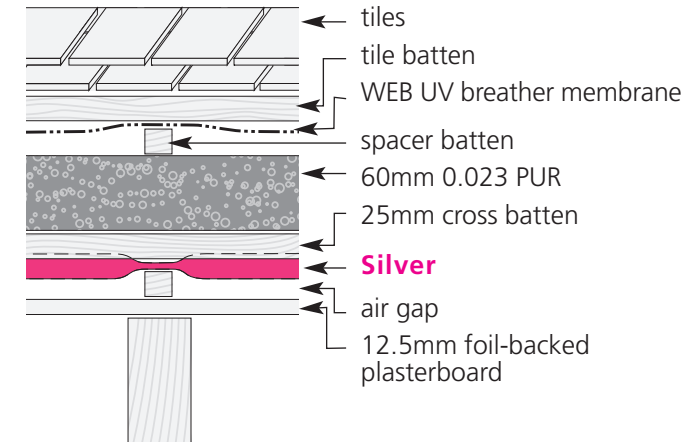
Silver: 0.2 examples

R-value 1.69m²K/W

Loft conversion: below rafter + PUR



Barn conversion: fully-exposed rafter + PUR



Newbuild: above rafter + glass wool

